

Stabilized Telehandlers

P40.17

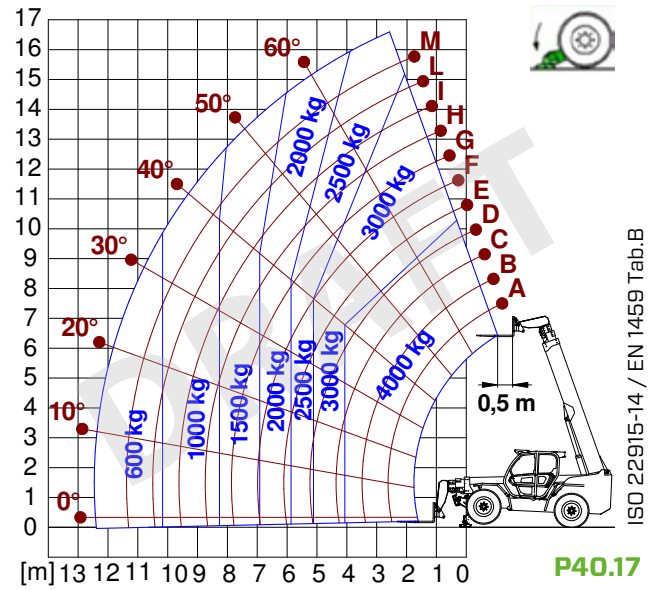
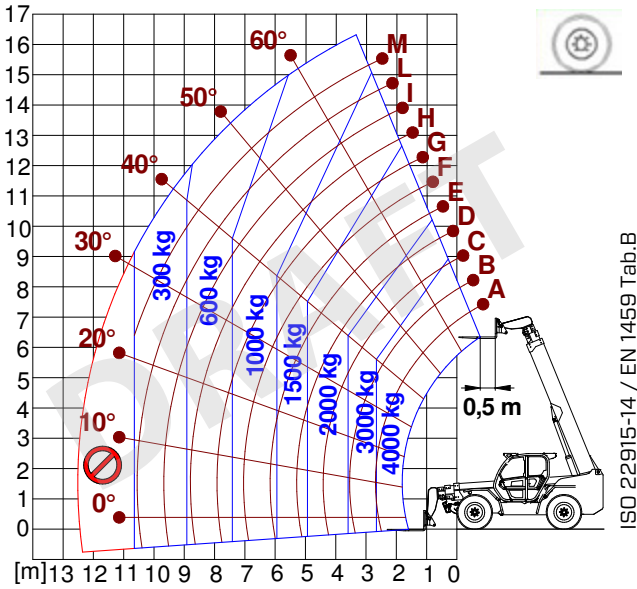




PERFORMANCE AND FEATURES	P40.17	P40.17 PLUS	P40.17 CSTOP
Performance			
Total unladen weight (kg)	11670	11670	12020
Maximum capacity (kg)	4000	4000	4000
Lifting height (m)	16,6	16,6	16,6
Maximum reach (m)	12,47	12,47	12,47
Maximum operating height (m)	10,3	10,3	10,3
Maximum operating reach (m)	4,06	4,06	4,06
Capacity at maximum height (kg)	2500	2500	2500
Capacity at maximum reach (kg)	600	600	600
Lateral boom movement (mm)	± 435	± 435	± 435
Tilting correction (%)	± 8	± 8	± 8
Boom sections	3	3	3
PowerTrain			
Turbo motor	KOHLER KDI2504	PERKINS 904J	PERKINS 904J
Displacement/cylinders	2500/4	3600/4	3600/4
Engine Power (kW/HP)	55,4/75,1	85,9/115	85,9/115
Anti-pollution technology	STAGE V, DOC + DPF	STAGE V, SCR+DPF+DOC	STAGE V, SCR+DPF+DOC
Reversible fan	●	●	●
Maximum speed (km/h)	33	40	40
Fuel tank (l)	140	140	140
AdBlue tank (l)	-	18	18
Hydrostatic transmission	● - 2V	● - 2V	Top - 2V
EPD	●	Plus	Plus
Auto-revving joystick	●	●	●
Axles - Reducers	Drop portal - RR700	Drop portal - RR700	Drop portal - RR700
Machine brakes	Dry discs	Dry discs	Dry discs
Automatic parking brake	●	●	●
Hydraulic			
Hydraulic pump	LS	LS	LS + FS
Flow rate/pressure (l/min - bar)	104 - 250	104 - 250	145 - 250
Hydraulic tank	100	100	100
Hydraulic outlet at the top of the boom	●	●	●
Rear hydraulic outlets	○	○	○
Cab			
Cab configuration	ECO	ECO	ECO
ASCS Adaptive Stability Control System	Light	Full	Full
FOPS LIV II cab	●	●	●
ROPS cab	●	●	●
Cab commands	Electronic joystick control	Electronic joystick control	Electronic joystick control
Tilting Cab	-	-	-
Reverse shuttle	Dual reverse	Dual reverse	Dual reverse
Configuration			
Cab suspension	-	-	●
Boom suspension	○	○	○
Suspension on axles	-	-	-
Work headlights on cab	○	○	○
Sun blind	○	○	○
Tac-lock	●	●	●
Provision for a platform	○	○	○
Two floating forks	●	●	●
Inching-Control	●	●	●
Four-wheel drive	●	●	●
Four-wheel steering	●	●	●
Three steering modes	●	●	●
Standard tyres	400/70-24	400/70-24	400/70-24
Optional tyres	400/80-24, 445/65R22,5	400/80-24, 445/65R22,5	400/80-24, 445/65R22,5
Stabilisers	Narrow	Narrow	Narrow
Turret rotation	-	-	-
Type approval as an agricultural tractor	-	-	-
Approval with PNEUMATIC braking	-	-	-
Approval with HYDRAULIC braking	-	-	-
PTO	-	-	-
3-point linkage	-	-	-

- Not Available
● Standard
○ Optional

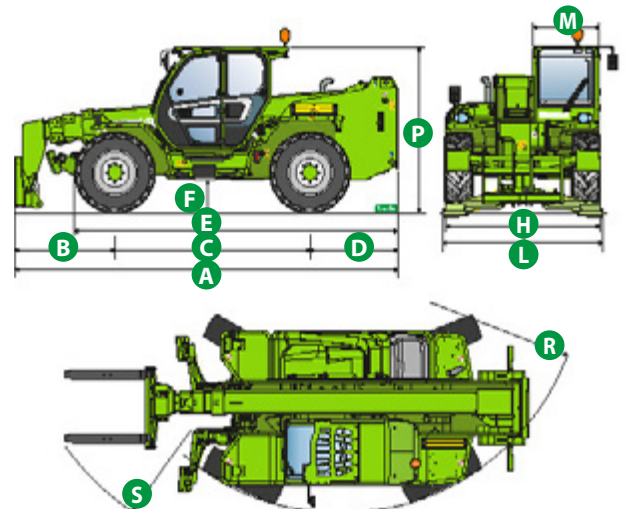
Load charts



Dimensions



	P40.17	P40.17 PLUS	P40.17 CSTOP
A (mm)	5970	5970	5970
B (mm)	1705	1705	1705
C (mm)	2950	2950	2950
D (mm)	1315	1315	1315
E (mm)	4852	4852	4852
F (mm)	450	450	450
H (mm)	2420	2420	2420
L (mm)	2550	2550	2550
M (mm)	1010	1010	1010
P (mm)	2500	2500	2500
R (mm)	4050	4050	4050
S (mm)	5160	5160	5160



Your Merlo dealer



MERLO S.P.A.

Via Nazionale, 9
12010 S. Defendente di Cervasca, (Cuneo) Italia
Tel. +39 0171 614111
Fax +39 0171 684101

info@merlo.com
www.merlo.com

